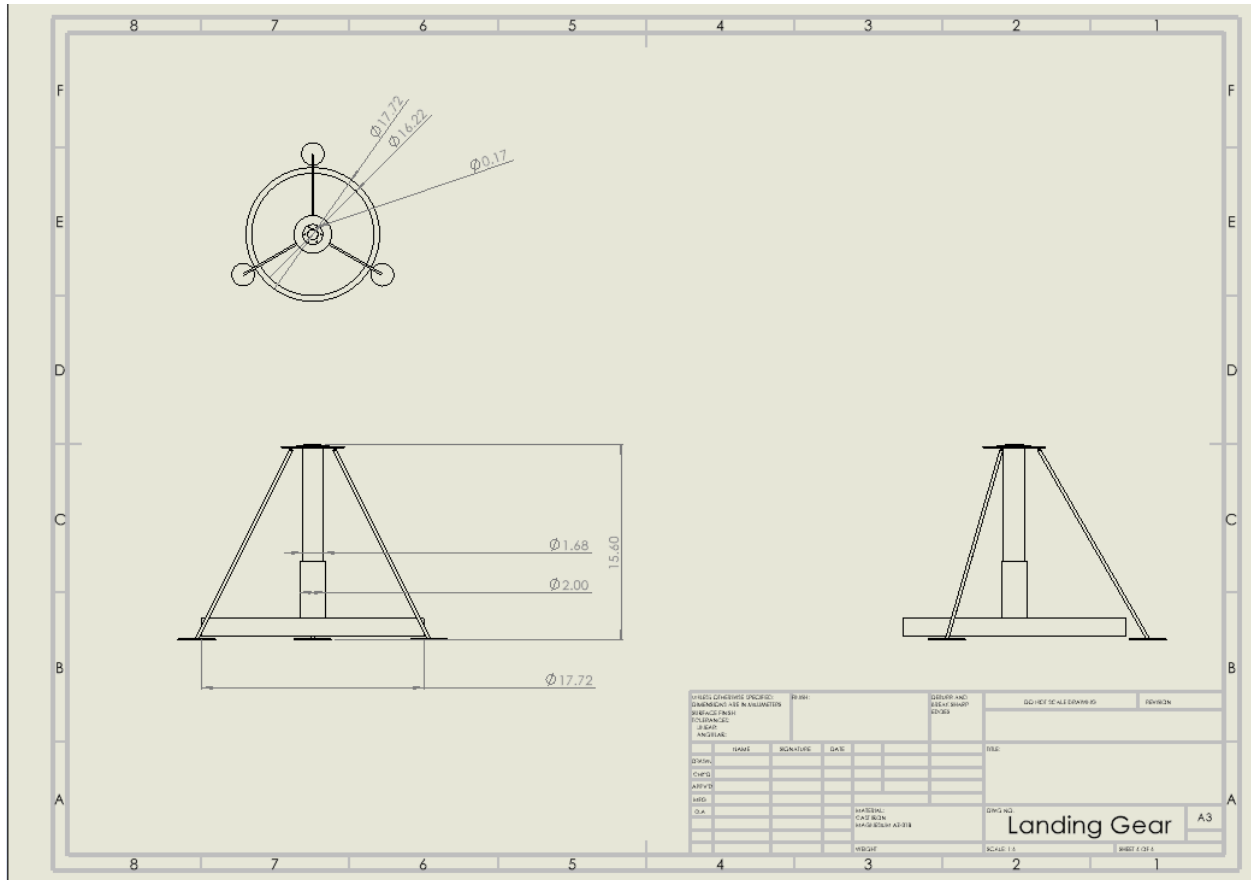


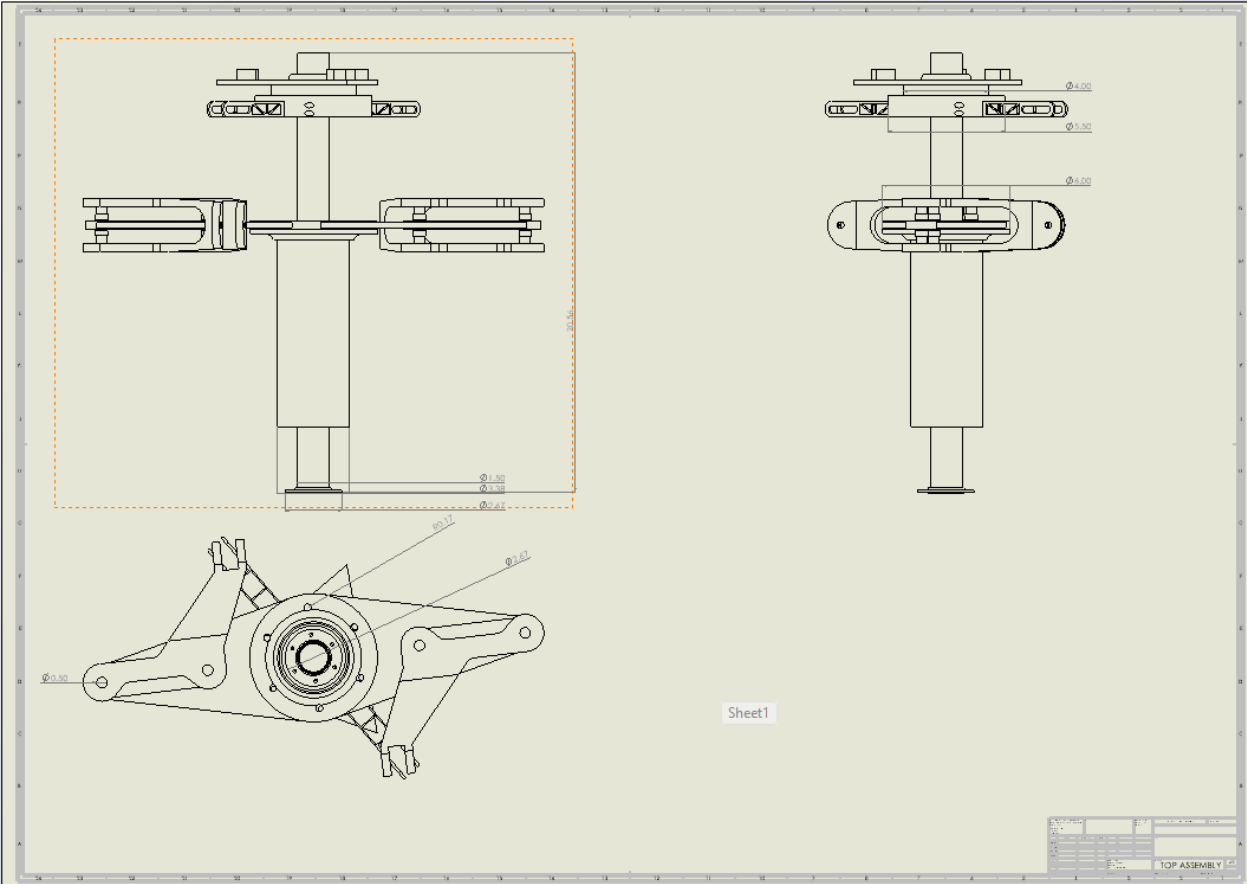
Major Assemblies:

Landing Gear Assembly:



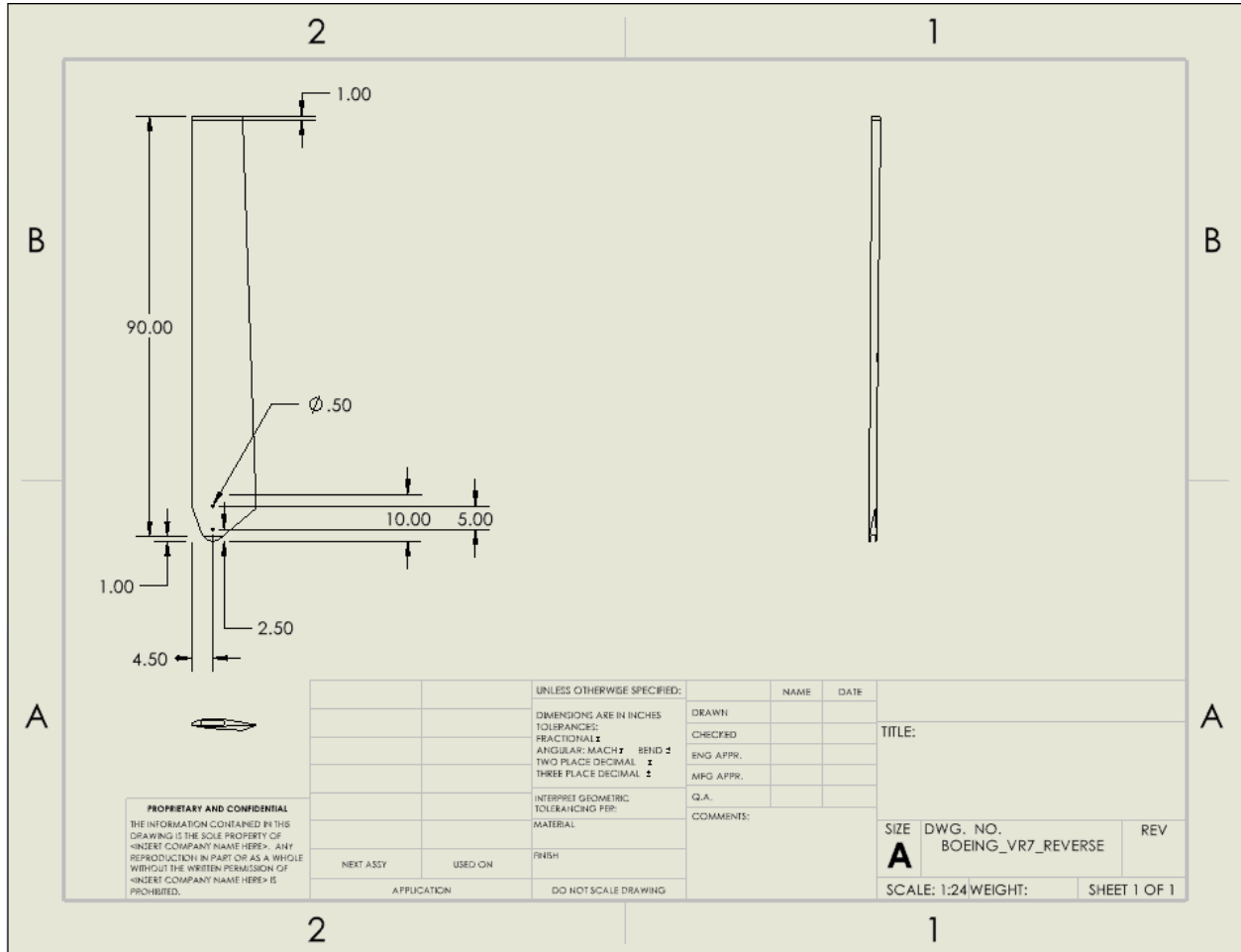
Base Plate/ Engine Assembly:

Swashplate Assembly:

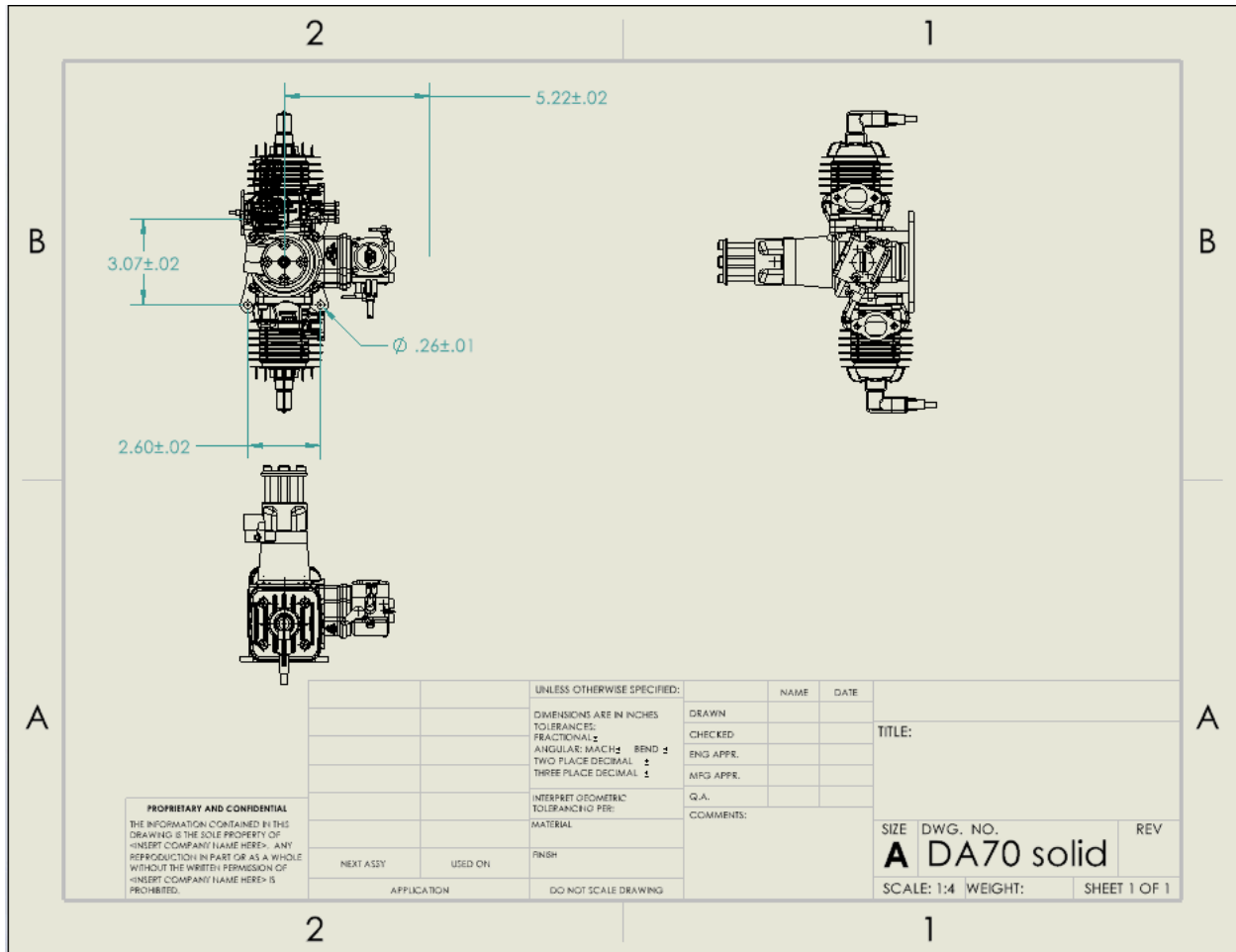


Major Parts:

Airfoil:



Da-70 Engine:



PROPRIETARY AND CONFIDENTIAL
 THE INFORMATION CONTAINED IN THIS DRAWING IS THE SOLE PROPERTY OF <INSERT COMPANY NAME HERE>. ANY REPRODUCTION IN PART OR AS A WHOLE WITHOUT THE WRITTEN PERMISSION OF <INSERT COMPANY NAME HERE> IS PROHIBITED.

		UNLESS OTHERWISE SPECIFIED:		NAME	DATE
		DIMENSIONS ARE IN INCHES		DRAWN	
		TOLERANCES:		CHECKED	
		FRACTIONAL: ±		ENG APPR.	
		ANGULAR: MACH ± BEND ±		MFG APPR.	
		TWO PLACE DECIMAL ±		Q.A.	
		THREE PLACE DECIMAL ±		COMMENTS:	
		INTERPRET GEOMETRIC TOLERANCING PER:		SIZE	DWG. NO.
		MATERIAL		A	DA70 solid
		FINISH		SCALE: 1:4	WEIGHT:
NEXT ASSY	USED ON	APPLICATION		DO NOT SCALE DRAWING	REV
					SHEET 1 OF 1

SIZE DWG. NO. **A DA70 solid** REV
 SCALE: 1:4 WEIGHT: SHEET 1 OF 1

Baseplate:

